



ROLAIR

SCHEMATIC FOR MODELS

1040K18

2040K18

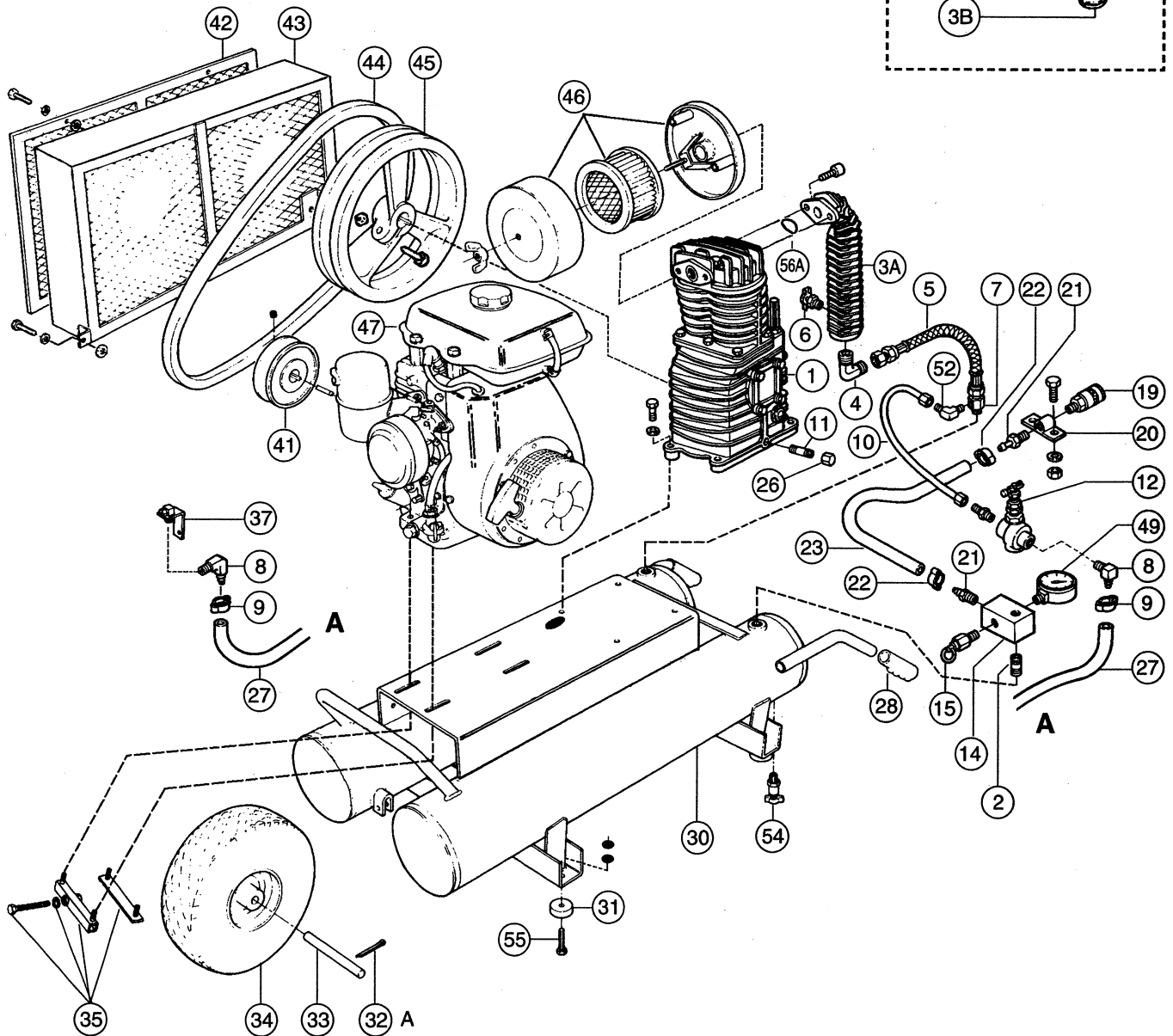
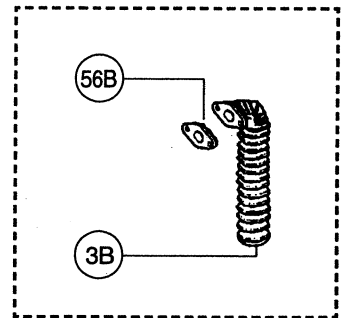
1040HK18

2040HK18

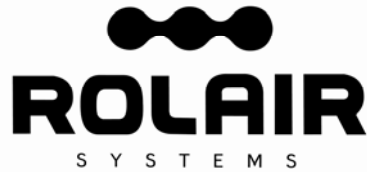
1040RK18

2040RK18

Production Prior to 2/00



2040K18 Model uses (2) WLS30SEAL



ROLAIR SYSTEMS

606 S. Lake Street, P.O. Box 346
 Hustisford Wisconsin 53034-0346
 Phone: 920-349-3281
 Sales Fax: 920.349.3691
 Service Fax: 920.349.8861
www.rolair.com

PARTS LIST FOR MODELS

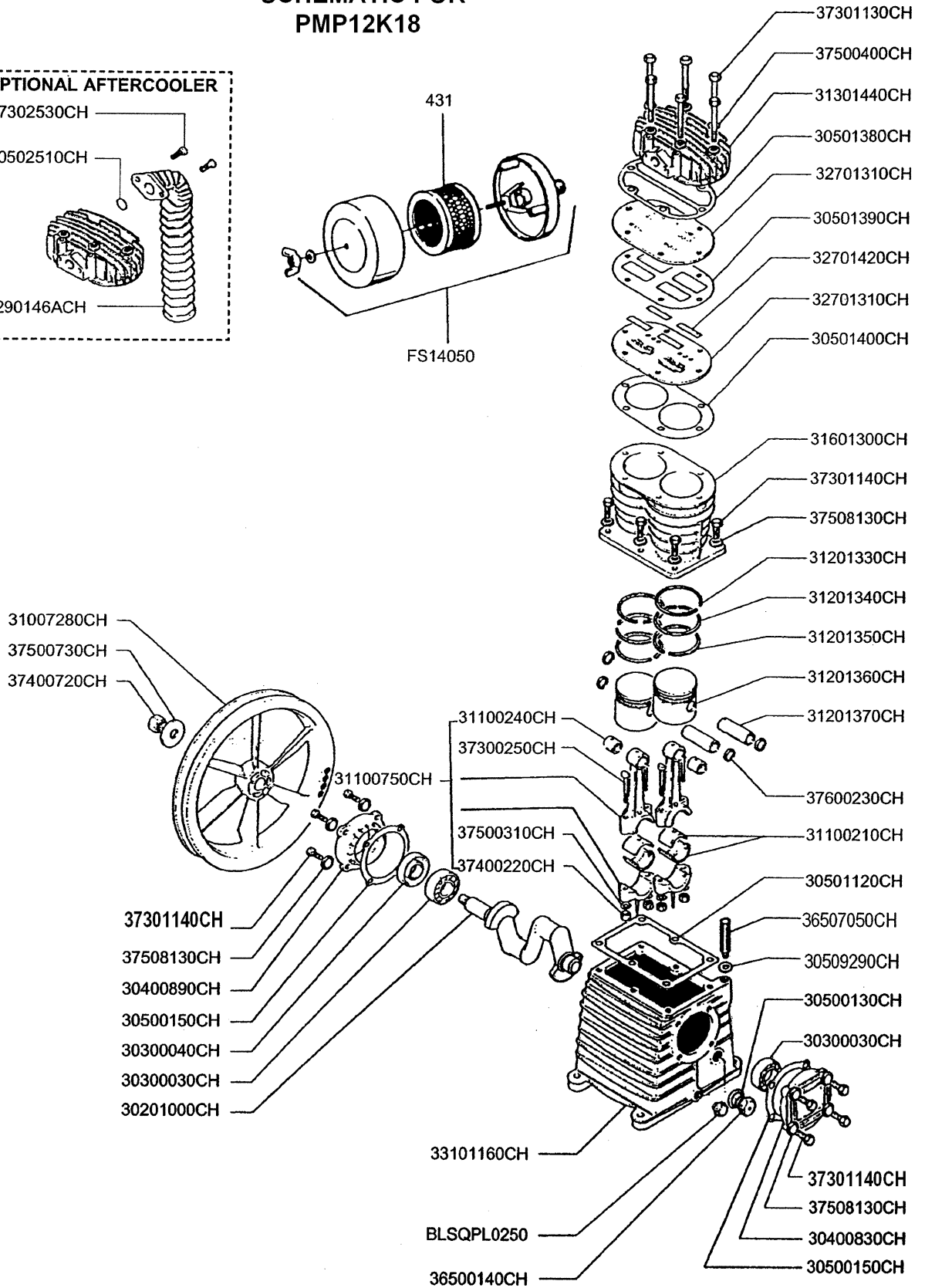
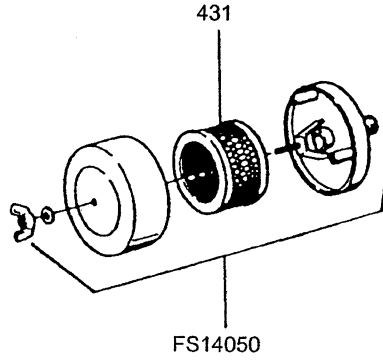
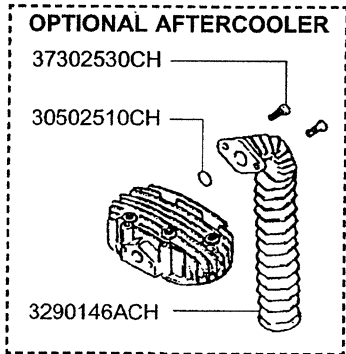
1040K18 2040K18
1040HK18 2040HK18
1040RK18 2040RK18

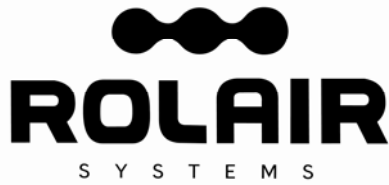
Schematic #	Description	Part #	Qty.
1	Twin Cylinder Pump w/Flywheel	PMP12K18CH	1
	Twin Cylinder Pump less Flywheel	PMP12K18CHLF	1
2	Nipple	BLNP0500X1500	1
3A	Aftercooler	3290146ACH	1
3B	Aftercooler	Use 3290146ACH	1
4	Brass Elbow	145D	1
5	Discharge Tube	145F	1
6	Drain Valve	132	1
7	Check Valve	CV4X4TA	1
8	Brass Elbow	BREL0250X0125H16	2
9	Hose Clamp	177	2
10	1/4" Nylon Tubing – 14.4"	178D	1.2'
11	Nipple	BLNP0250X1500	1
12	Pilot Unloader Valve	131BV	1
14	Aluminum Block Manifold	154	1
15	Safety Valve	SRV0250N165	1
19	Quick Disconnect	309A	1
20	Accessory Bracket	210	1
21	Brass Coupler	BRCP0375X0375H12	2
22	Hose Clamp	177A	2
23	3/8" Rubber Hose – 16"	178A	1.34'
26	Cap	BLCA0250	1
27	1/4" Rubber Hose – 36"	178	3'
28	Handle Grip	328	2
30	Twin Tank Assembly	Specify Model	1
31	Rubber Foot	219	4
32	Cotter Pin - 2040 Models	181B	2
32A	Cotter Pin - 1040 Models	181A	2
33	Axle for 1040K18, 1040HK18, & 1040KK18 Models	181	1
34	Fully-Pneumatic Tire w/Sealant	WLS30SEAL	1
35	Belt Tightener/Mounting Kit - 1040K18 & 2040K18 1040HK18, 2040HK18, & 1040RK18, 2040RK18	SBT8HPKO-ANGLE* SBT8HPHO&KAK17-ANGLE*	1 1
37	Throttle Control Kit	Specify Engine	1
41	Pulley	PUAK49X1000	1
42	Belt Guard Cover	BG8145	1
43	Belt Guard Base	BG8140B	1
44	Belt	BT4L510	1
45	Flywheel	31007280CH	1
46	Silencer/Filter Assembly Filter Element – Replacement for Above	FS14050 431	1
47	Kohler Engine – Models 1040K18 & 2040K18	ENG08KOM1	1
	Honda Engine – Models 1040HK18 & 2040HK18	ENG08H01	1
	Optional Engine Drain Extension for Above	HDE8	1
	Robin Engine – Models 1040RK18 & 2040RK18	ENG09RO1	1
49	Gauge	GA0250200GC	1
52	Brass Elbow	BREL0250X012539	1
54	Drain Valve	132B	2
55	Screw	MIS10008	4
56A	O-Ring	30502510CH	1
56B	Gasket	30501490CH	1

*For units built prior to February 2005, order SBT8HP-SQUARE or SBT8HPHO&KA17-SQUARE respectively.

ROLAIR

SCHEMATIC FOR PMP12K18





ROLAIR SYSTEMS

606 S. Lake Street, P.O. Box 346
 Hustisford Wisconsin 53034-0346
 Phone: 920-349-3281
 Sales Fax: 920.349.3691
 Service Fax: 920.349.8861
www.rolair.com

PARTS LIST FOR PMP12K18

Description	Part #	Qty.
Crankshaft	30201000CH	1
Bearing	30300030CH	2
Oil Seal	30300040CH	1
Bearing Carrier	30400830CH	1
Bearing Carrier	30400890CH	1
Gasket	30500130CH	1
Gasket	30500150CH	2
O-Ring	30509290CH	1
Gasket	30501120CH	1
Gasket	30501380CH	1
Gasket	30501390CH	1
Gasket	30501400CH	1
Flywheel	31007280CH	1
Bearing Shell	31100210CH	2
Bushing*	31100240CH	2
Connecting Rod w/Upper Bushing	31100750CH	2
Ring	31201330CH	2
Ring	31201340CH	2
Ring	31201350CH	2
Piston	31201360CH	2
Piston Pin	31201370CH	2
Head	31301440CH	1
Cylinder	31601300CH	1
Valve Plate	32701310CH	2
Valve	32701420CH	4
Crankcase	33101160CH	1
Sight Gauge	36500140CH	1
3/8" Breather/Oil Fill Plug	36507050CH	1
Bolt	37300250CH	4
Bolt	37301130CH	6
Bolt	37301140CH	6
Nut	37400220CH	4
Nut	37400720CH	1
Washer	37500310CH	4
Washer	37500400CH	6
Washer	37500730CH	1
Washer	37508130CH	14
Snap Ring	37600230CH	4
Filter Element	431	1
Plug	BLSQPL0250	1
Silencer/Filter Assembly	FS14050	1
Ring Set	K18RINGS	1
Gasket Set	K18GASKETS	1
Valve Plate Assembly	1800VK18	1
OPTIONS-		
O-Ring	30502510CH	1
Aftercooler	3290146ACH	1
Bolt	37302530CH	2
NOTE: Gasket for "old-style" Aftercooler	30501490CH	1

*Bushing is not machined to fit piston pin if ordered separate from connecting rod.