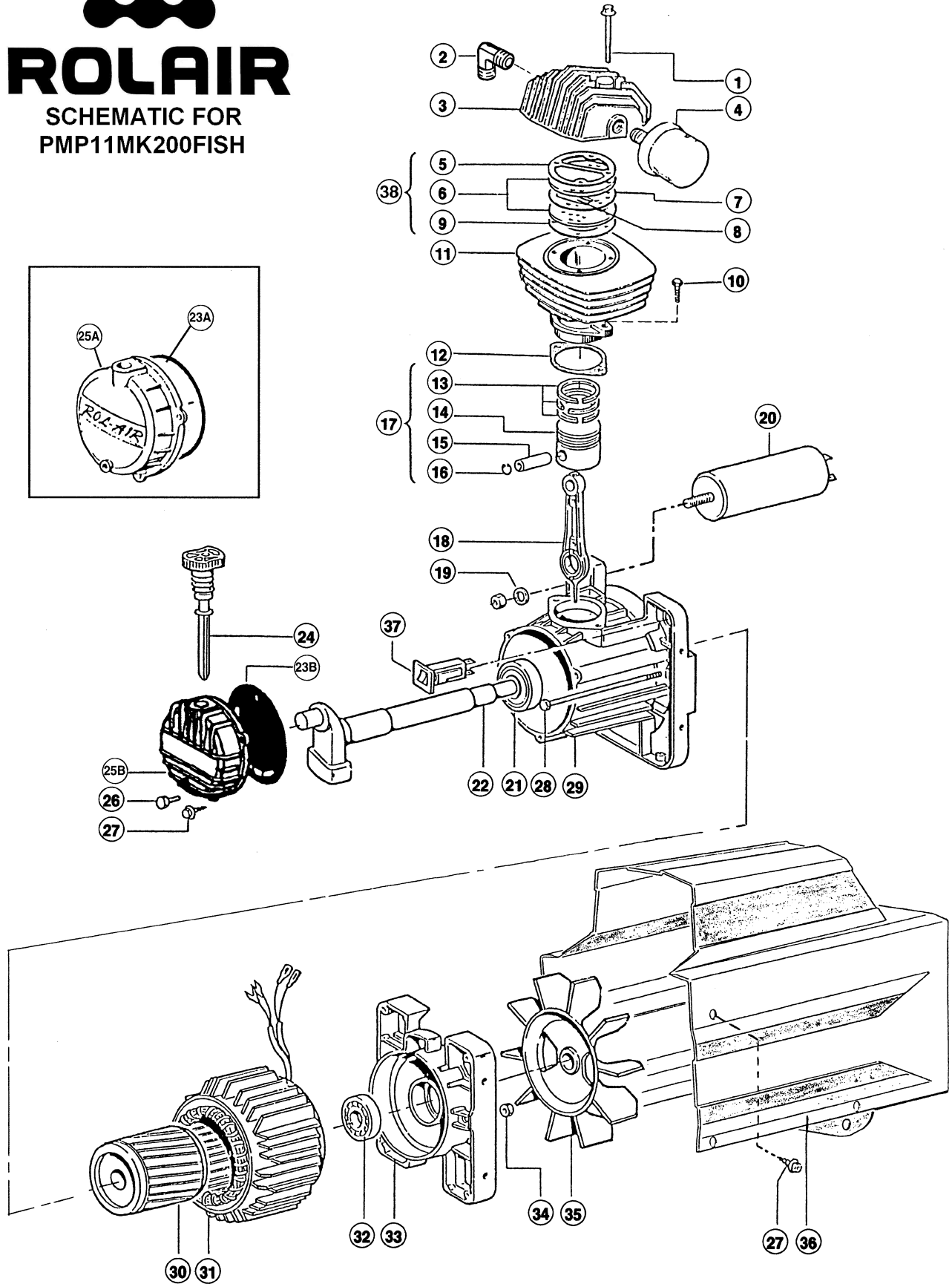
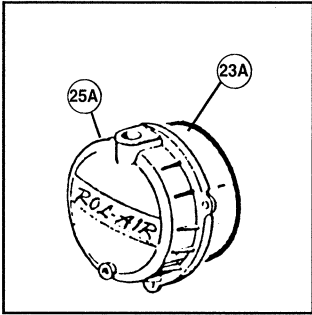


ROLAIR

SCHEMATIC FOR
PMP11MK200FISH





ROLAIR SYSTEMS

606 S. Lake Street, P.O. Box 346
 Hustisford Wisconsin 53034-0346
 Phone: 920-349-3281
 Sales Fax: 920.349.3691
 Service Fax: 920.349.8861
www.rolair.com

PARTS LIST FOR PMP11MK200FISH

| Schematic # | Description | Part # | Qty. |
|-------------|---|-----------------|------|
| 1 | Bolt | 014002021F | 4 |
| 2 | Brass Elbow | BREL0500X037539 | 1 |
| 3 | Head | 116001001F | 1 |
| 4 | Intake Filter Assembly | 317013000F | 1 |
| | Filter Element | 317013004FE | 1 |
| 5 | Gasket | 116022009F | 1 |
| 6 | Valve Plate | 116022013F | 2 |
| 7 | Gasket | 116022012F | 1 |
| 8 | Valve | 116022038F | 2 |
| 9 | Gasket | 116022010F | 1 |
| 10 | Bolt | MIS10049 | 2 |
| 11 | Cylinder | 116032060F | 1 |
| 12 | Gasket | 116022023F | 1 |
| 13 | Ring Set | 216022002F | 1 |
| 14 | Piston | 116022004F | 1 |
| 15 | Piston Pin | 116022040F | 1 |
| 16 | Snap Ring | 015001000F | 2 |
| 17 | Piston Assembly | 416022004F | 1 |
| 18 | Connecting Rod | 116091021F | 1 |
| 19 | Washer | 014005006F | 1 |
| 20 | Capacitor | 009200035F | 1 |
| 21 | Bearing | 033018000F | 1 |
| 22 | Crankshaft | 116032006F | 1 |
| 23A | O-Ring | 010013000F | 1 |
| 23B | Diaphragm | 116001025F | 1 |
| 24 | Dipstick | 012035000F | 1 |
| 25A | Crankcase Cover | 116022006F | 1 |
| 25B | Crankcase Cover* | N.L.A. | 1 |
| 26 | Drain Plug | 014013024F | 1 |
| 27 | Screw | 014006121F | 5 |
| 28 | Bolt | 116011038F | 2 |
| 29 | Motor Housing | 116022051F | 1 |
| 30 | Rotor | 116092003F | 1 |
| 31 | Stator | 416092641F | 1 |
| 32 | Bearing | 033005000F | 1 |
| 33 | End Bell | 116011002F | 1 |
| 34 | Nut | 014003002F | 2 |
| 35 | Fan | 116001003F | 1 |
| 36 | Shroud | 116001002F | 1 |
| 37 | Manual Reset Button | 008030000F | 1 |
| 38 | Valve Plate Assembly | 116022100F | 1 |
| | Gasket Set | 216032001F | 1 |
| | Repair Kit Includes: Gasket Set, Ring Set, (2) Valves, Filter Element | MK200REPKITLVP | |
| | Repair Kit Includes: Gasket Set, Ring Set, (2) Valve Plates, (2) Valves, Filter Element | MK200REPKITWVP | |

*Use 116022006F cover and 116001025F diaphragm